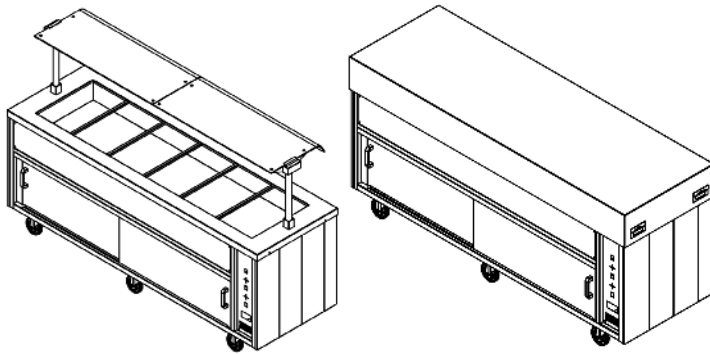


Case Study

St Georges Hill Lawn Tennis Club



CORSAIR

Tel 01295 267021

E. sales@corsairengineering.co.uk

W. www.corsairengineering.co.uk



CORSAIR

St Georges Hill Lawn Tennis Club has been established since 1913 and is based in the heart of this prestigious estate in Surrey.

The club wanted to extend its catering function to provide a Sunday carvery service to its clients.

To achieve this aim, they requested a discrete servery unit which could be easily stowed away, to be unobtrusive at other times.

Working closely with JDS Catering, Corsair designed a mobile servery counter combining the features of its Cherwell and Beamont ranges.

The counter range incorporate bains marie pans, hotplates or refrigerated sections to suit the particular requirements.

In addition there is a heated gantry system with sneeze guard and integral lighting.

For this particular application the gantry is mounted on telescopic legs, so it can be easily lowered after service.

Corsair engineered a powder coated cover to fit over the lowered gantry so the whole servery unit blends into the surroundings more than a traditional servery unit.

The units are available in a wide range of sizes and layout options, to suit your requirements exactly.

Welcome to the refreshing world of Corsair



ST GEORGE'S HILL
LAWN TENNIS CLUB

